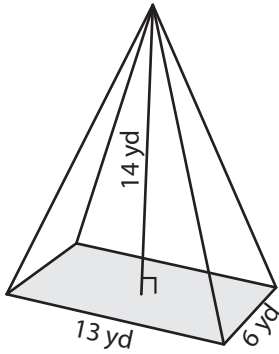


Volume - Rectangular Pyramids

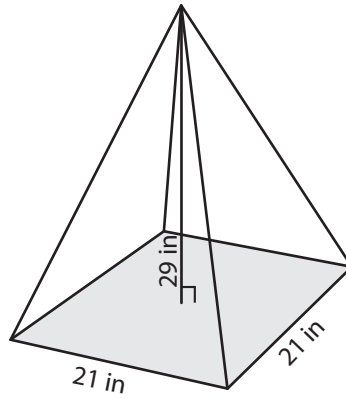
Find the volume of each rectangular pyramid. Round the answer to two decimal places.

1)



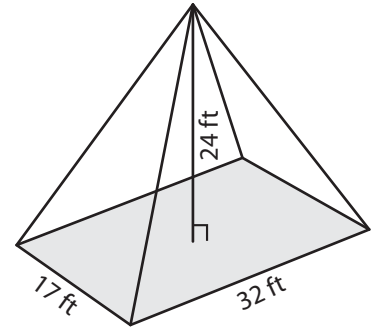
Volume = _____

2)



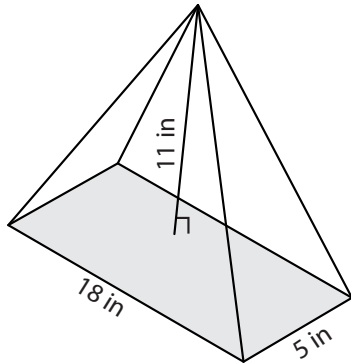
Volume = _____

3)



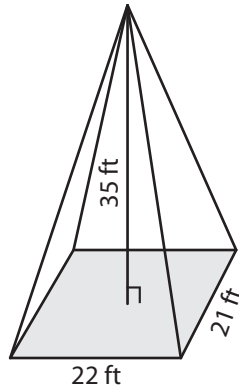
Volume = _____

4)



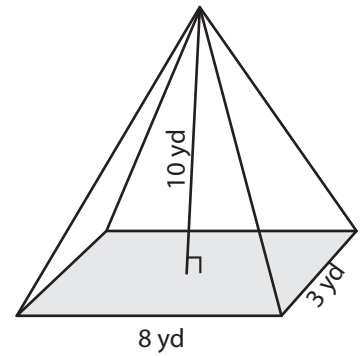
Volume = _____

5)



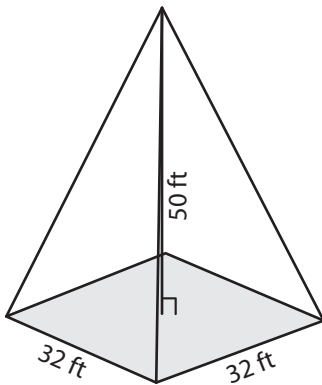
Volume = _____

6)



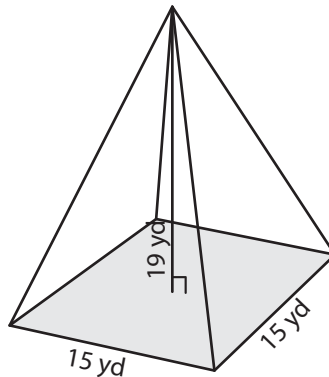
Volume = _____

7)



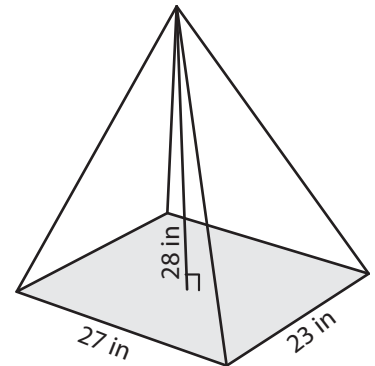
Volume = _____

8)



Volume = _____

9)



Volume = _____