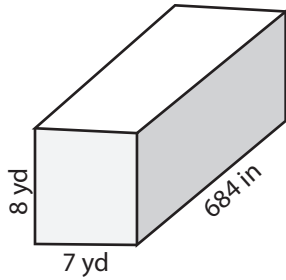


# Volume - Rectangular Prisms

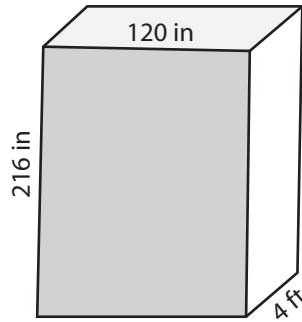
Find the volume of each rectangular prism.

1)



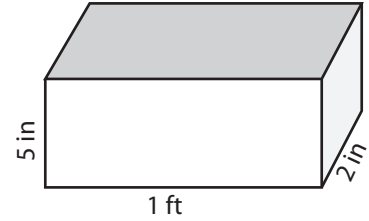
Volume = \_\_\_\_\_ yd<sup>3</sup>

2)



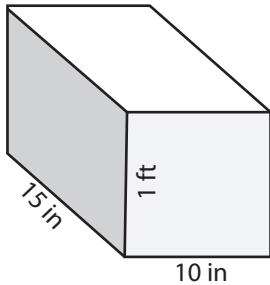
Volume = \_\_\_\_\_ ft<sup>3</sup>

3)



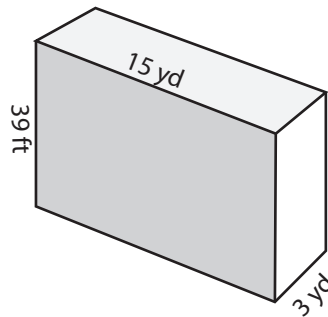
Volume = \_\_\_\_\_ in<sup>3</sup>

4)



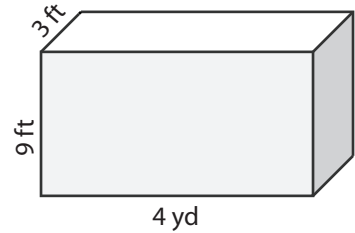
Volume = \_\_\_\_\_ in<sup>3</sup>

5)



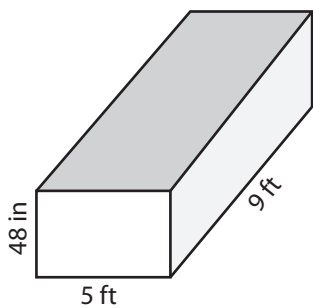
Volume = \_\_\_\_\_ yd<sup>3</sup>

6)



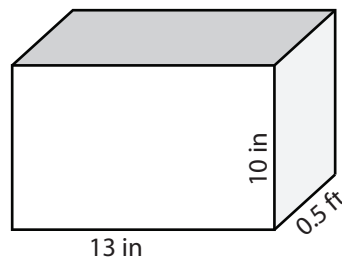
Volume = \_\_\_\_\_ ft<sup>3</sup>

7)



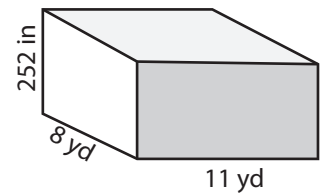
Volume = \_\_\_\_\_ ft<sup>3</sup>

8)



Volume = \_\_\_\_\_ in<sup>3</sup>

9)



Volume = \_\_\_\_\_ yd<sup>3</sup>