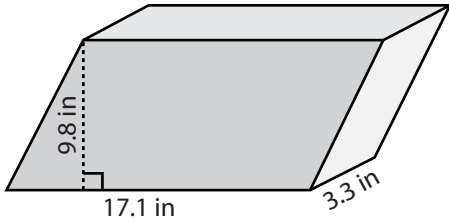


Volume - Prisms & Cylinders

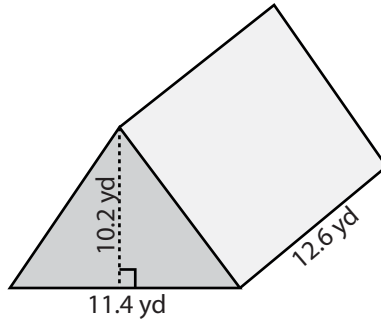
Find the volume of each shape. Round the answer to nearest tenth. (use $\pi = 3.14$)

1)



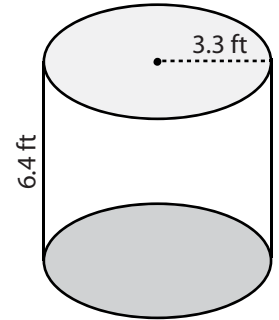
Volume = _____

2)



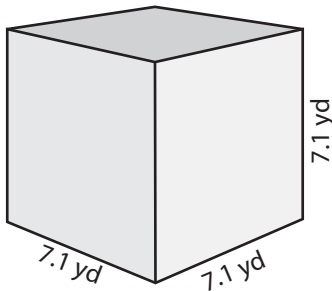
Volume = _____

3)



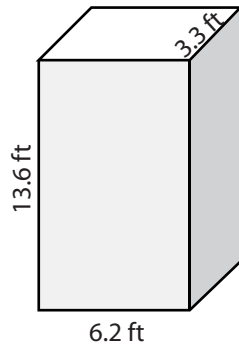
Volume = _____

4)



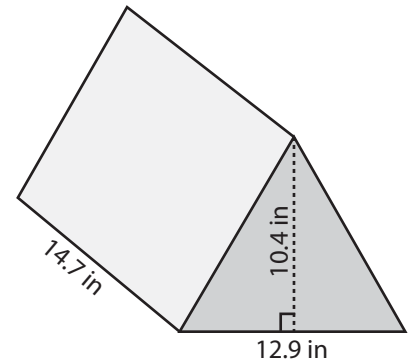
Volume = _____

5)



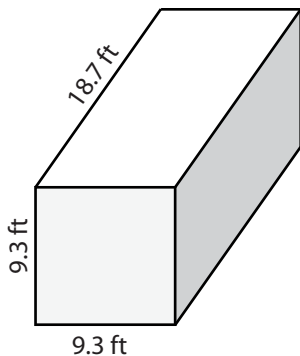
Volume = _____

6)



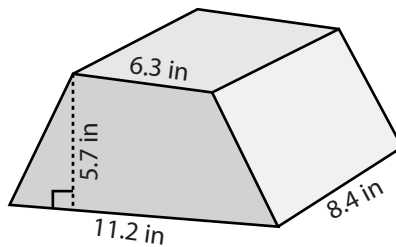
Volume = _____

7)



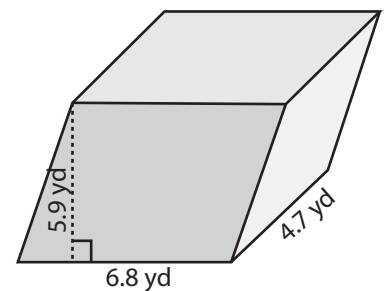
Volume = _____

8)



Volume = _____

9)



Volume = _____