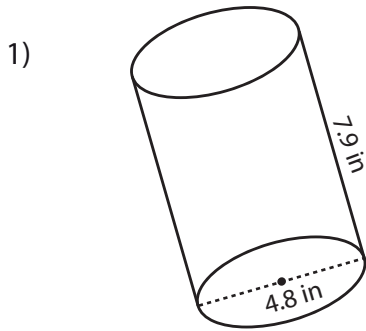
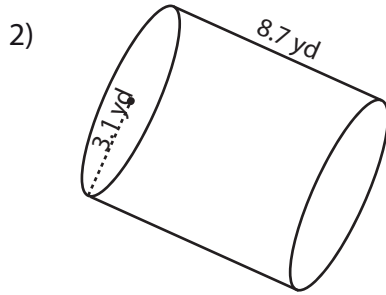


Volume - Cylinders

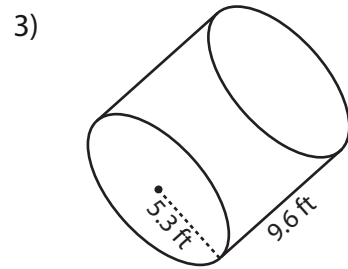
Find the volume of each cylinder. Round the answer to nearest tenth. (use $\pi = 3.14$)



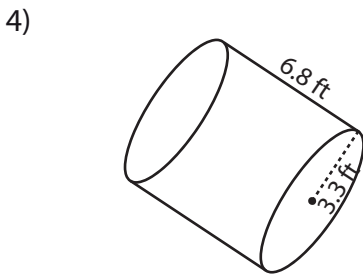
Volume = _____



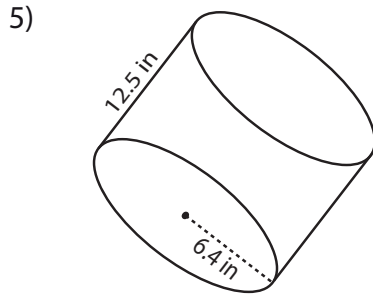
Volume = _____



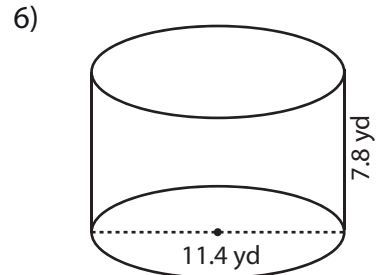
Volume = _____



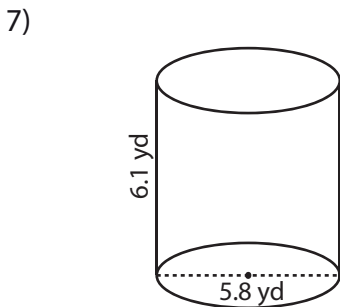
Volume = _____



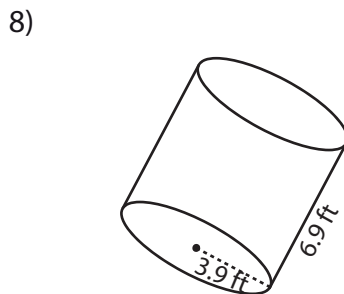
Volume = _____



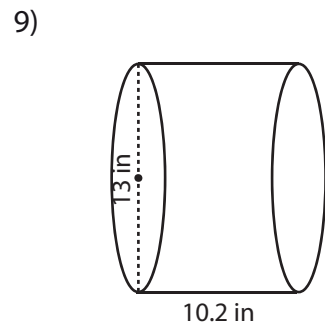
Volume = _____



Volume = _____



Volume = _____



Volume = _____