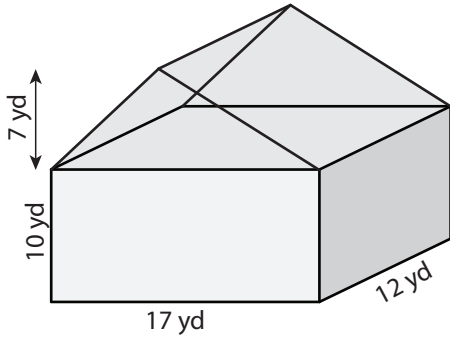


# Volume - Compound Shapes

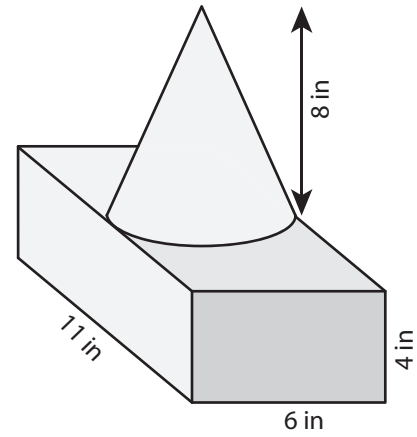
Find the volume of each figure. Round the answer to two decimal places. ( use  $\pi = 3.14$  )

1)



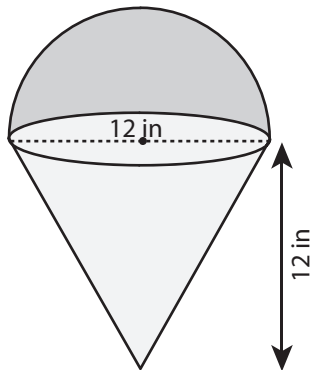
Volume = \_\_\_\_\_

2)



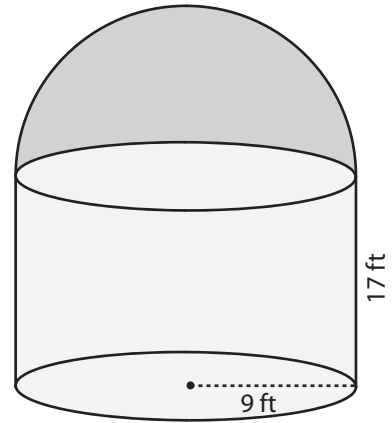
Volume = \_\_\_\_\_

3)



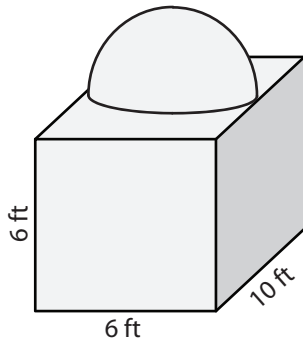
Volume = \_\_\_\_\_

4)



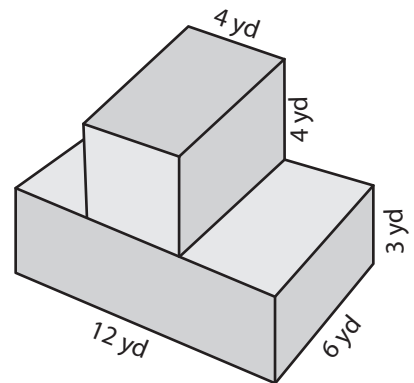
Volume = \_\_\_\_\_

5)



Volume = \_\_\_\_\_

6)



Volume = \_\_\_\_\_