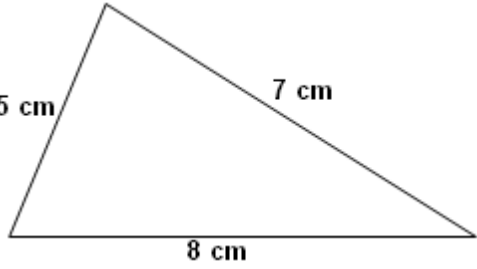
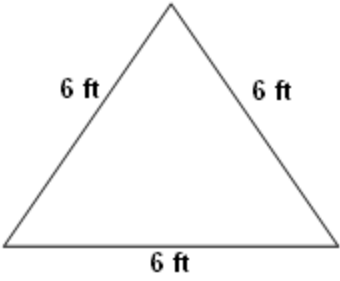


Perimeter of a Triangle

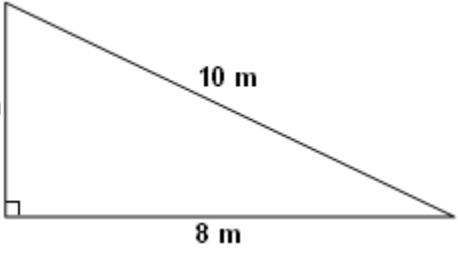
Find the perimeter of each triangle.



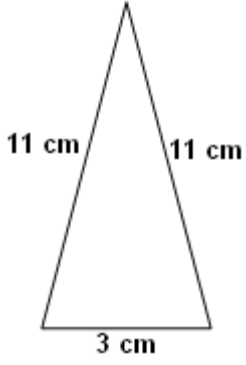
Perimeter =



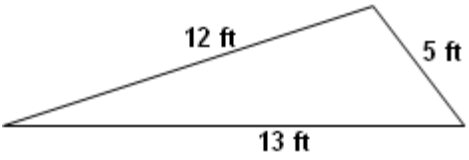
Perimeter =



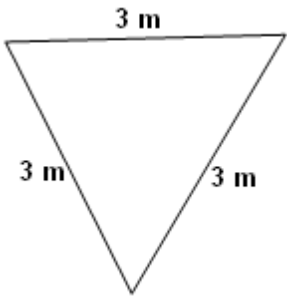
Perimeter =



Perimeter =



Perimeter =



Perimeter =