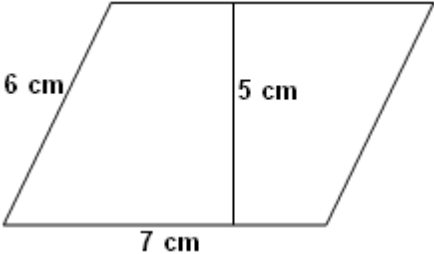
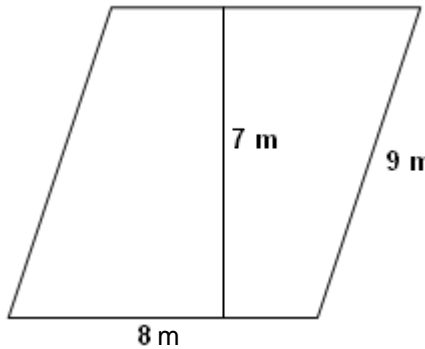


Perimeter of a Parallelogram

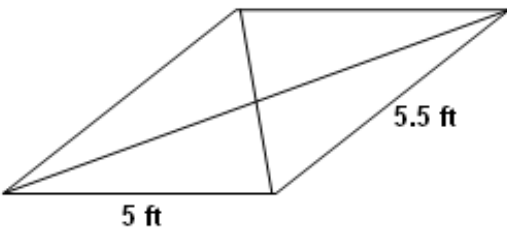
Find the perimeter of each parallelogram.



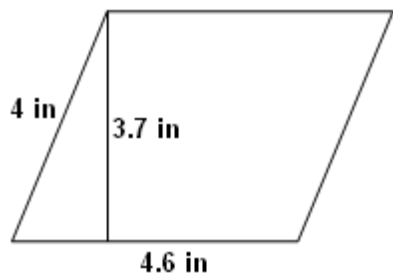
Perimeter = \_\_\_\_\_



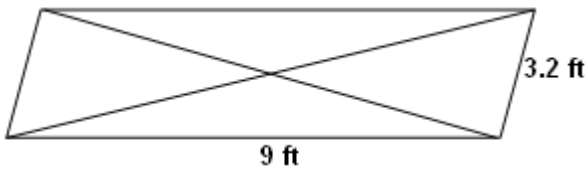
Perimeter = \_\_\_\_\_



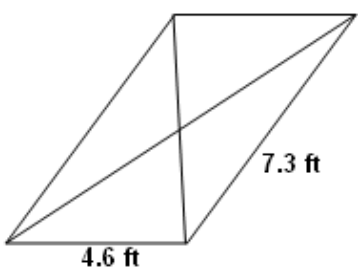
Perimeter = \_\_\_\_\_



Perimeter = \_\_\_\_\_



Perimeter = \_\_\_\_\_



Perimeter = \_\_\_\_\_