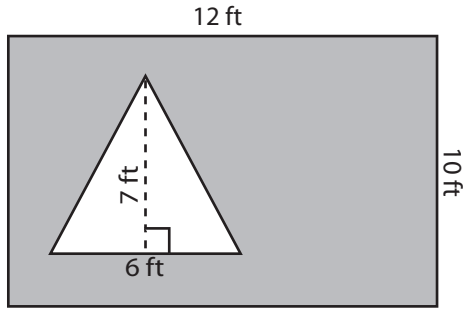


**Area - Compound Shapes**

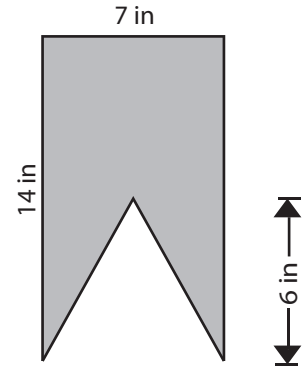
Find the area of shaded region. Round your answer to two decimal places.  
(Use 3.14 for  $\pi$ .)

1)



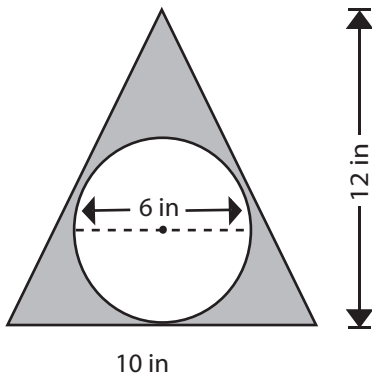
Area = \_\_\_\_\_

2)



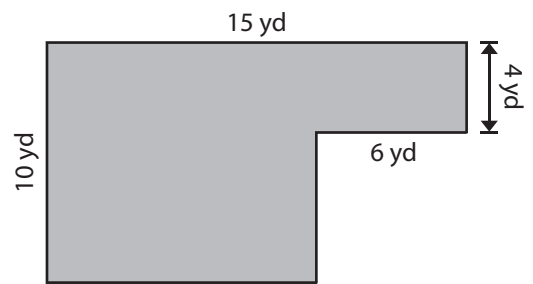
Area = \_\_\_\_\_

3)



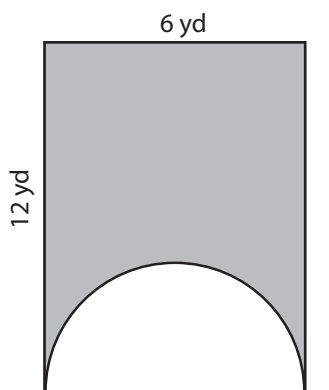
Area = \_\_\_\_\_

4)



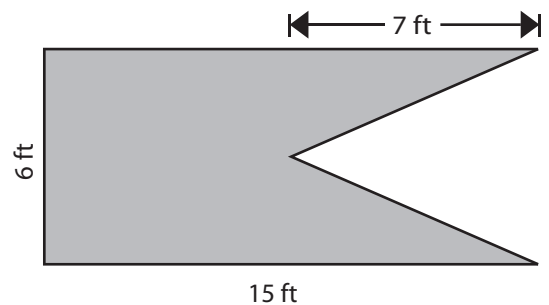
Area = \_\_\_\_\_

5)



Area = \_\_\_\_\_

6)



Area = \_\_\_\_\_