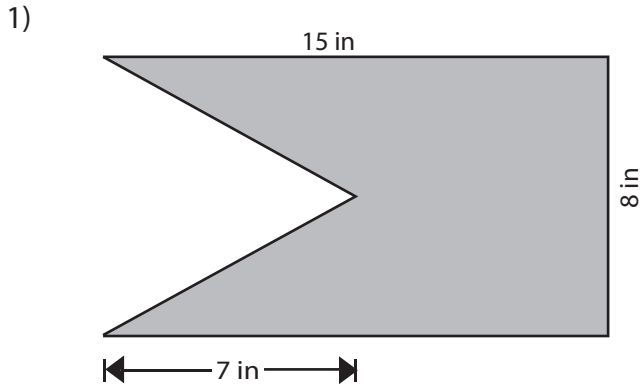
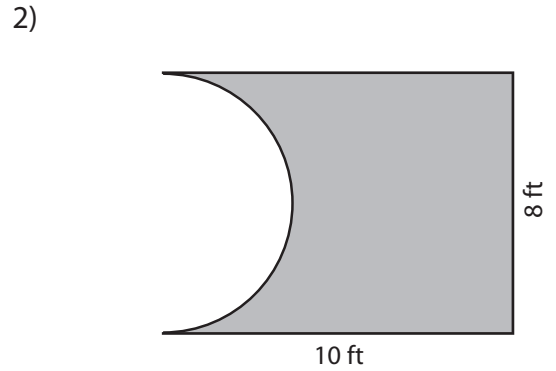


Area - Compound Shapes

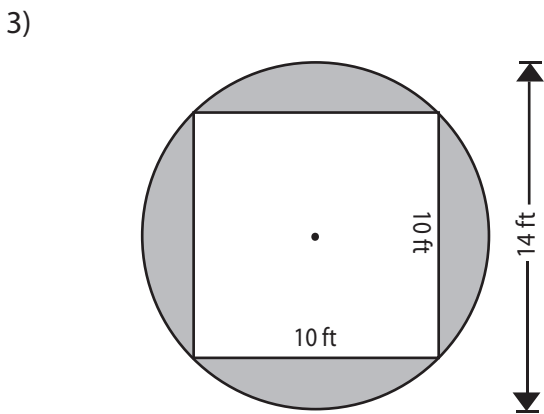
Find the area of shaded region. Round your answer to two decimal places.
(Use 3.14 for π .)



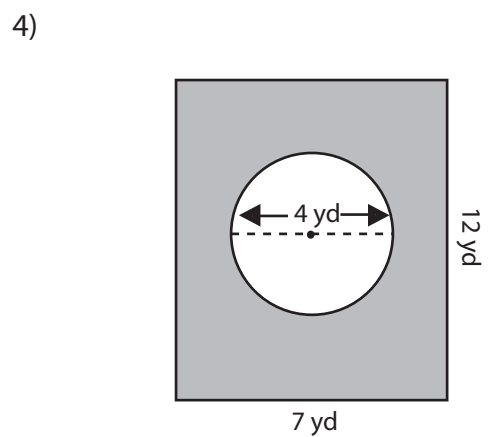
Area = _____



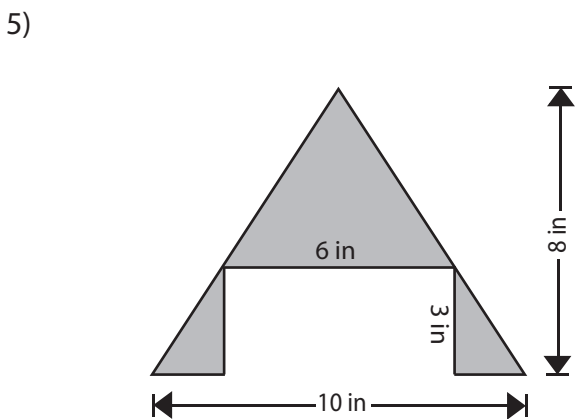
Area = _____



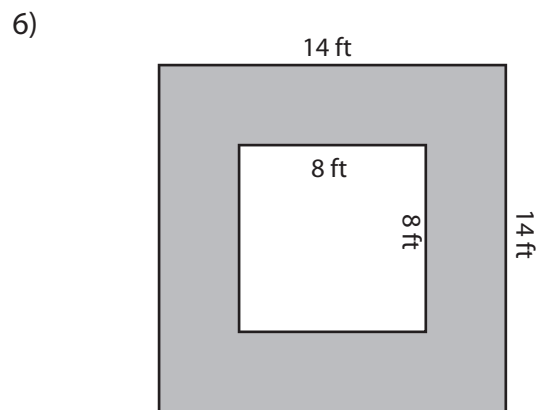
Area = _____



Area = _____



Area = _____



Area = _____