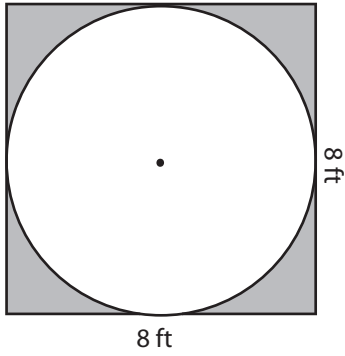


Area - Compound Shapes

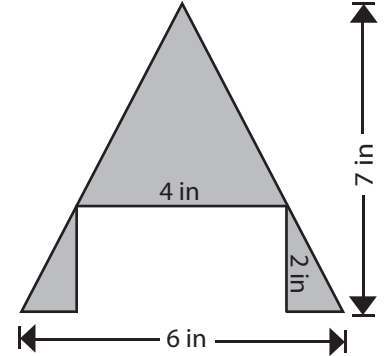
Find the area of shaded region. Round your answer to two decimal places.
(Use 3.14 for π .)

1)



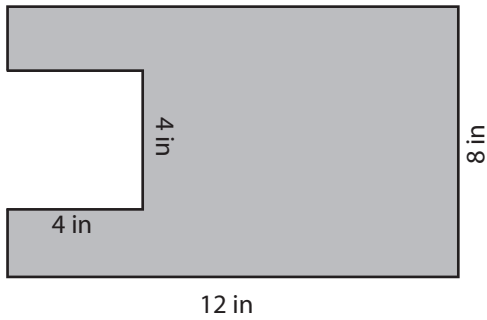
Area = _____

2)



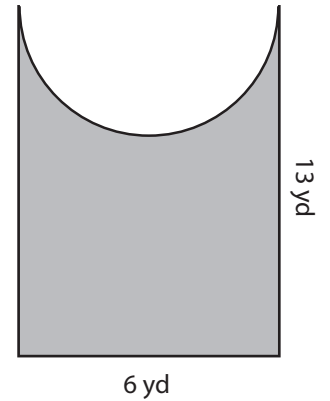
Area = _____

3)



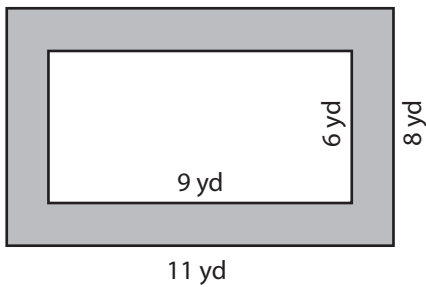
Area = _____

4)



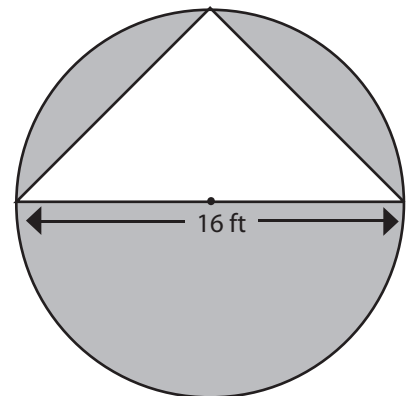
Area = _____

5)



Area = _____

6)



Area = _____