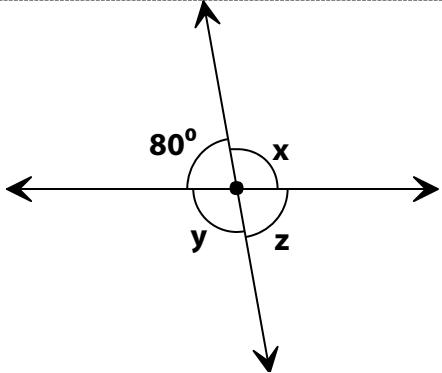
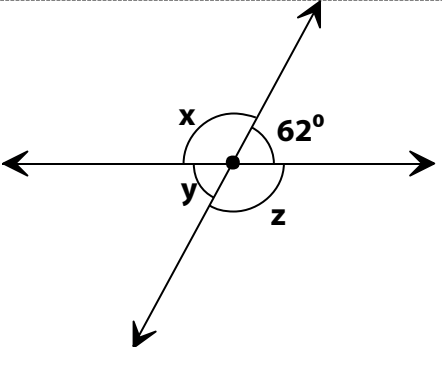
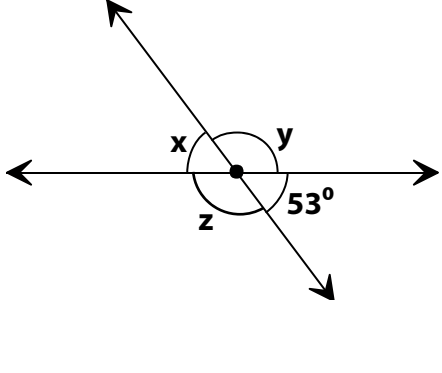
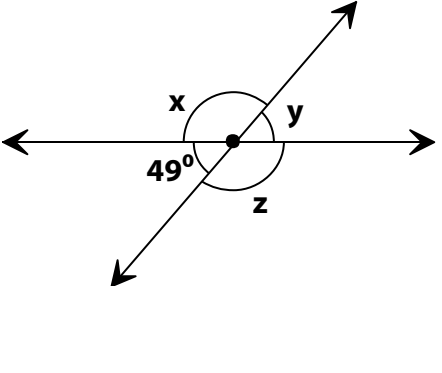
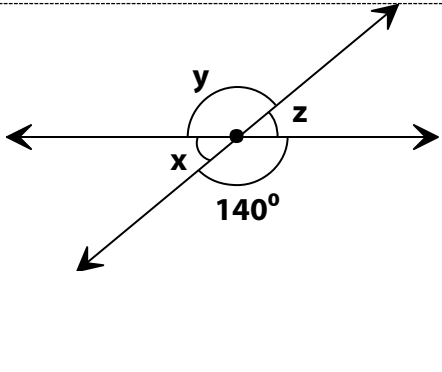
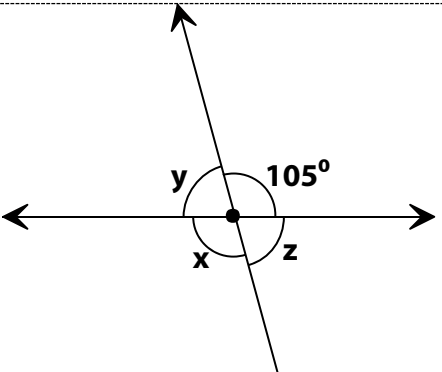


Vertical Angles

Find the unknown angles.

<p style="text-align: center;">1</p>  <p style="margin-top: 20px;"> $x = \square$ $y = \square$ $z = \square$ </p>	<p style="text-align: center;">2</p>  <p style="margin-top: 20px;"> $x = \square$ $y = \square$ $z = \square$ </p>
<p style="text-align: center;">3</p>  <p style="margin-top: 20px;"> $x = \square$ $y = \square$ $z = \square$ </p>	<p style="text-align: center;">4</p>  <p style="margin-top: 20px;"> $x = \square$ $y = \square$ $z = \square$ </p>
<p style="text-align: center;">5</p>  <p style="margin-top: 20px;"> $x = \square$ $y = \square$ $z = \square$ </p>	<p style="text-align: center;">6</p>  <p style="margin-top: 20px;"> $x = \square$ $y = \square$ $z = \square$ </p>