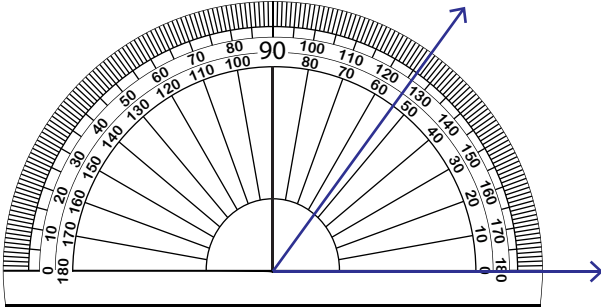


Reading a Protractor

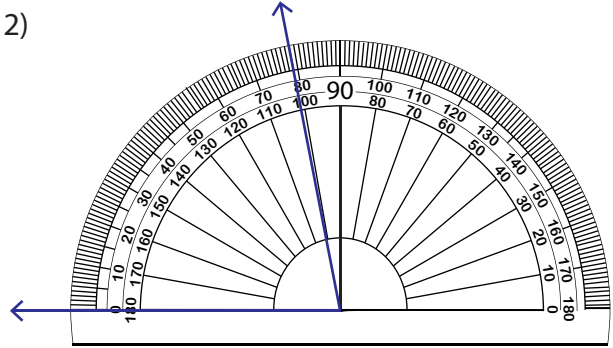
Measure each angle formed between a pair of rays using protractor.

1)



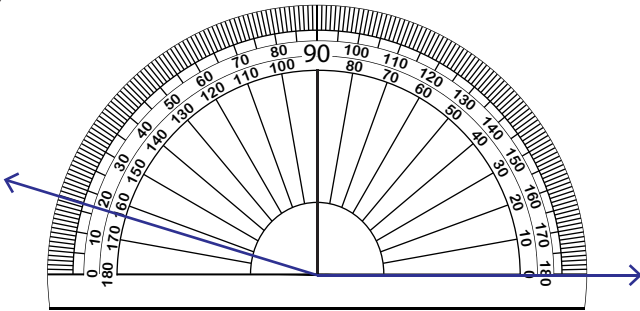
Angle : _____

2)



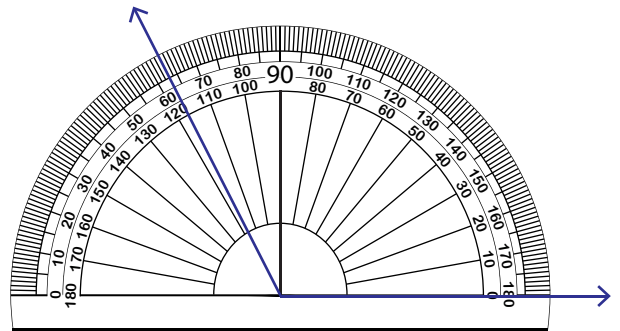
Angle : _____

3)



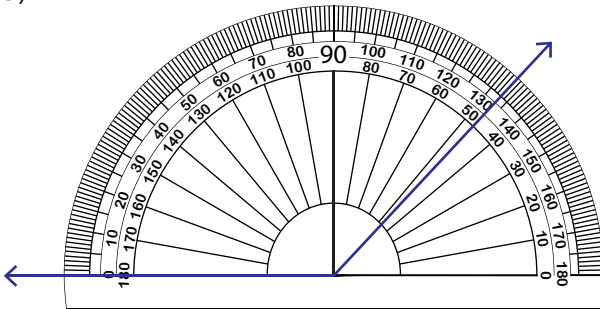
Angle : _____

4)



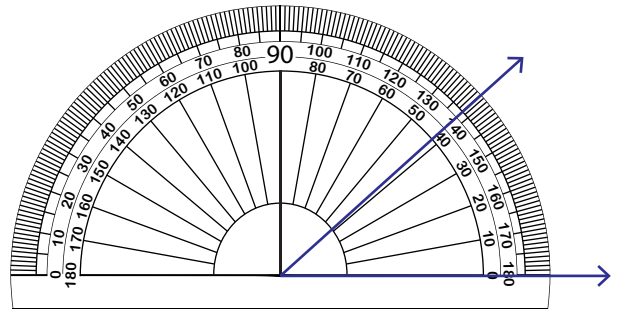
Angle : _____

5)



Angle : _____

6)



Angle : _____